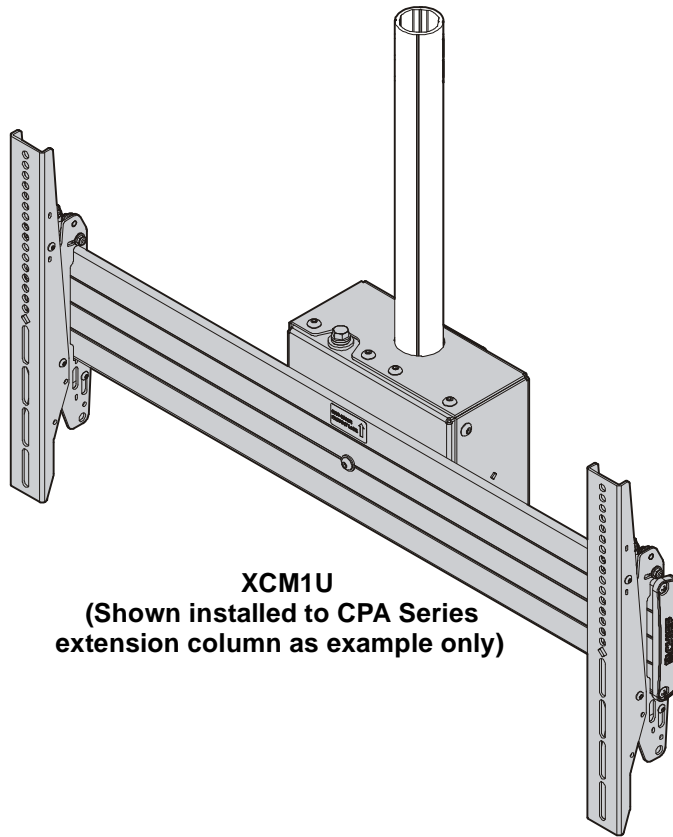

INSTALLATION INSTRUCTIONS



XCM1U
(Shown installed to CPA Series
extension column as example only)


Extra Large Flat Panel Ceiling Mount

DISCLAIMER

Milestone AV Technologies and its affiliated corporations and subsidiaries (collectively "Milestone"), intend to make this manual accurate and complete. However, Milestone makes no claim that the information contained herein covers all details, conditions or variations, nor does it provide for every possible contingency in connection with the installation or use of this product. The information contained in this document is subject to change without notice or obligation of any kind. Milestone makes no representation of warranty, expressed or implied, regarding the information contained herein. Milestone assumes no responsibility for accuracy, completeness or sufficiency of the information contained in this document.

Chief® is a registered trademark of Milestone AV Technologies. All rights reserved.


IMPORTANT SAFETY INSTRUCTIONS


 **WARNING:** A WARNING alerts you to the possibility of serious injury or death if you do not follow the instructions.


 **CAUTION:** A CAUTION alerts you to the possibility of damage or destruction of equipment if you do not follow the corresponding instructions.

 **WARNING:** Failure to read, thoroughly understand, and follow all instructions can result in serious personal injury, damage to equipment, or voiding of factory warranty! It is the installer's responsibility to make sure all components are properly assembled and installed using the instructions provided.

 **WARNING:** Failure to provide adequate structural strength for this component can result in serious personal injury or damage to equipment! It is the installer's responsibility to make sure the structure to which this component is attached can support five times the combined weight of all equipment. Reinforce the structure as required before installing the component.

 **WARNING:** Exceeding the weight capacity can result in serious personal injury or damage to equipment! It is the installer's responsibility to make sure the combined weight of all components located within the mounting system of the XCM1U model does not exceed 250 lbs (113.4 kg).

 **WARNING:** Never operate this mounting system if it is damaged. Return the mounting system to a service center for examination and repair.

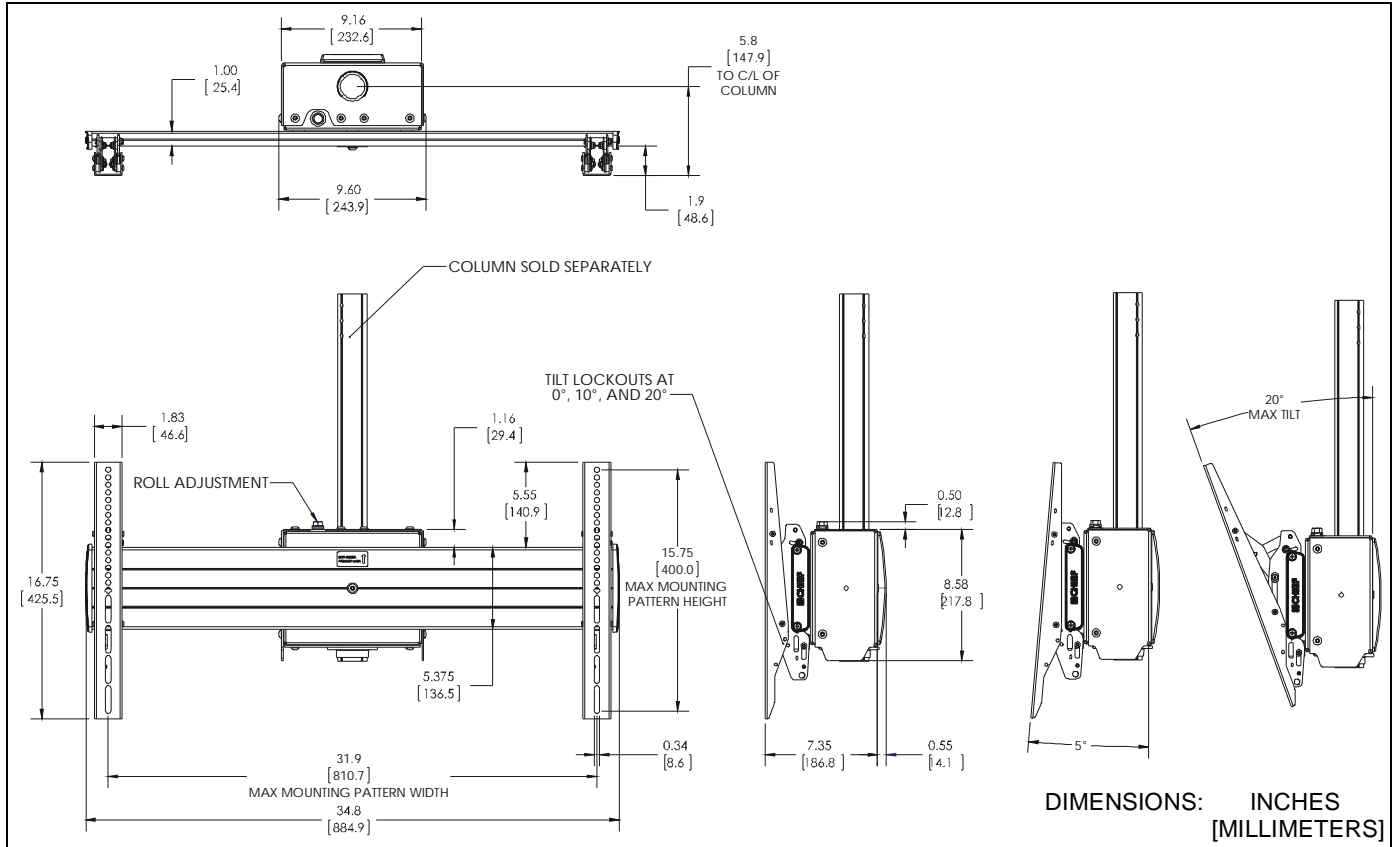
 **WARNING:** Do not use this product outdoors.

NOTE: The XCM1U flat panel ceiling mount is intended to be used with the UL Listed CPA extension columns and UL Listed CPA Ceiling Plates (not included): CPA330, CPA365, CPA395.













The following UL Listed Chief ceiling plates WITHOUT swaged collars (not included) may also be used: CMA330, CMA345, CMA395.

--SAVE THESE INSTRUCTIONS--

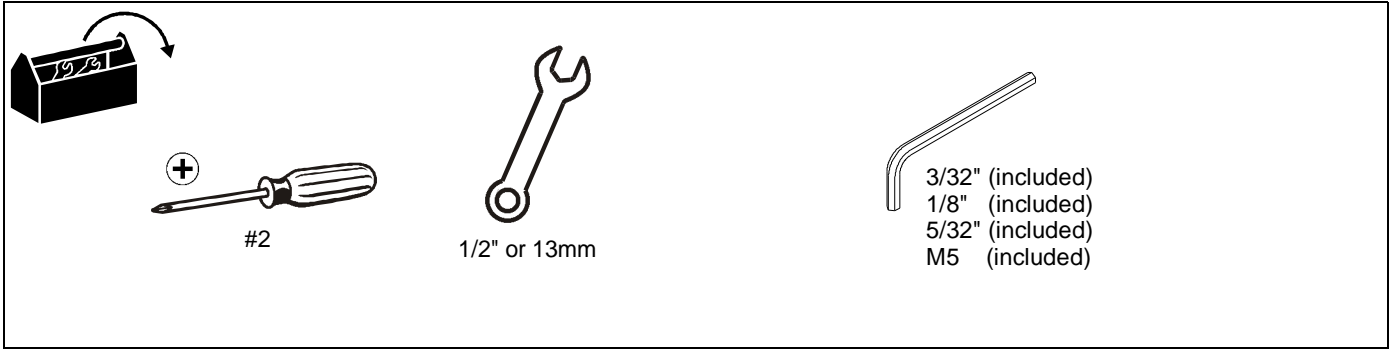
DIMENSIONS



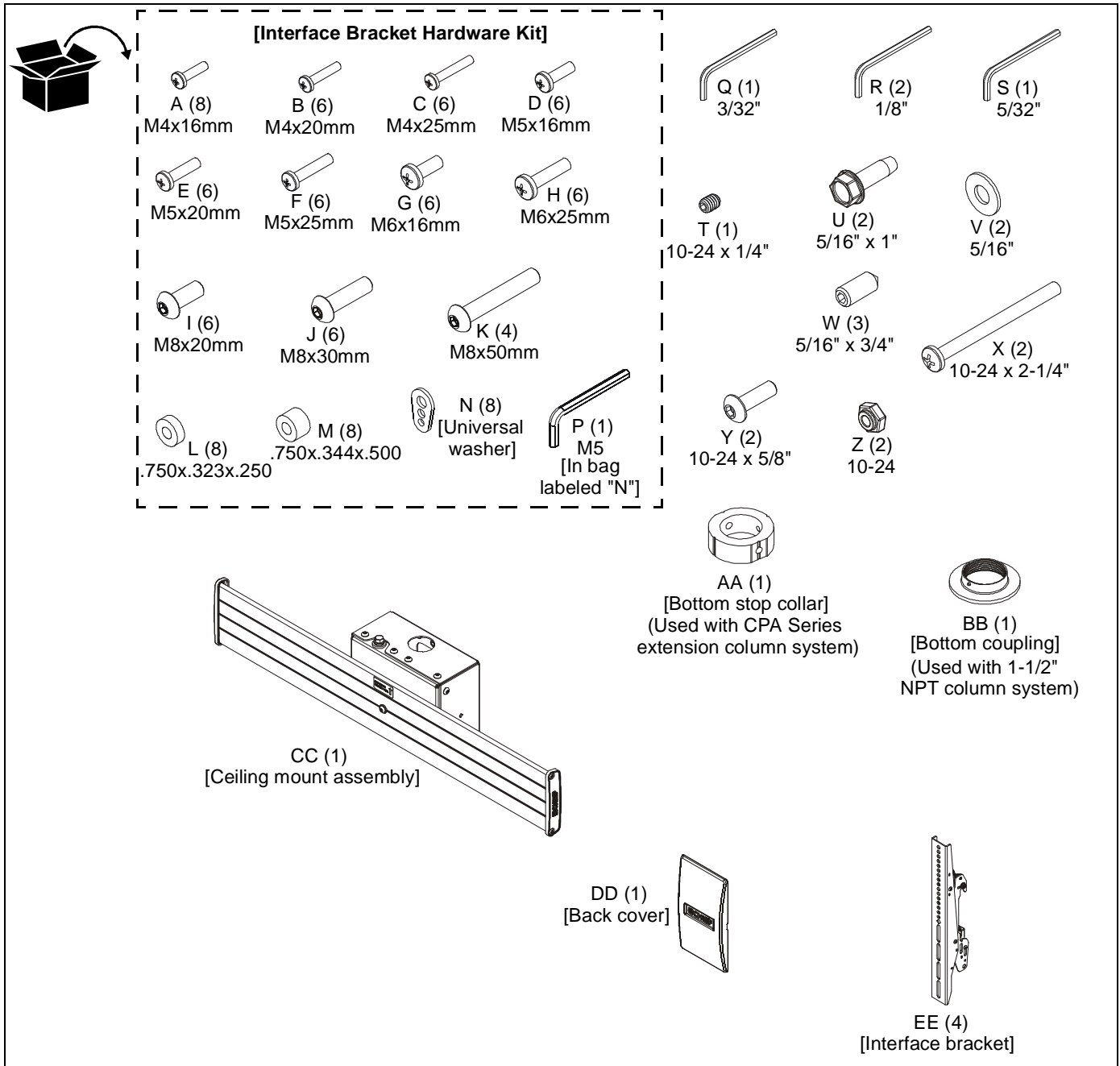
LEGEND

	Tighten Fastener Apretar elemento de fijación Befestigungsteil festziehen Apertar fixador Serrare il fissaggio Bevestiging vastdraaien Serrez les fixations		Pencil Mark Marcar con lápiz Stiftmarkierung Marcar com lápis Segno a matita Potloodmerkteken Marquage au crayon
	Loosen Fastener Aflojar elemento de fijación Befestigungsteil lösen Desapertar fixador Allentare il fissaggio Bevestiging losdraaien Desserrez les fixations		Drill Hole Perforar Bohrloch Fazer furo Praticare un foro Gat boren Percez un trou
	Phillips Screwdriver Destornillador Phillips Kreuzschlitzschraubendreher Chave de fendas Phillips Cacciavite a stella Kruiskopschroevendraaier Tournevis à pointe cruciforme		Adjust Ajustar Einstellen Ajustar Regolare Afstellen Ajuster
	Open-Ended Wrench Llave de boca Gabelschlüssel Chave de bocas Chiave a punte aperte Steeksleutel Clé à fourche		Remove Quitar Entfernen Remover Rimuovere Verwijderen Retirez
	By Hand A mano Von Hand Com a mão A mano Met de hand À la main		Optional Opcional Optional Opcional Opzionale Optie En option
	Hex-Head Wrench Llave de cabeza hexagonal Sechskantschlüssel Chave de cabeça sextavada Chiave esagonale Zeskantsleutel Clé à tête hexagonale		Security Wrench Llave de seguridad Sicherheitsschlüssel Chave de segurança Chiave di sicurezza Veiligheidssleutel Clé de sécurité

TOOLS REQUIRED FOR INSTALLATION



PARTS



INSTALLATION

IMPORTANT ! : The following procedure assumes that:

- a UL Listed CPA or CMA ceiling plate (not included); AND
- a 1-1/2" NPT or NPSM following ANSI/ASME B1.20.1 (Schedule 40, 0.154" minimum thickness steel or aluminum-ASTM B221) threaded extension column (not included); OR a UL Listed Chief CPA Series extension column (not included) has been properly installed following instructions provided with ceiling plate and extension column.

NOTE: Proceed to **Attaching Mount to NPT Column** section or **Attaching Mount to CPA Extension Column** section, as appropriate.

Attaching Mount to 1-1/2" NPT Column



CAUTION: WATCH FOR PINCH POINTS! Do not place fingers between moveable parts.

1. Insert two 5/16 x 3/4" set screws (W) into back of ceiling mount (CC). (See Figure 1)

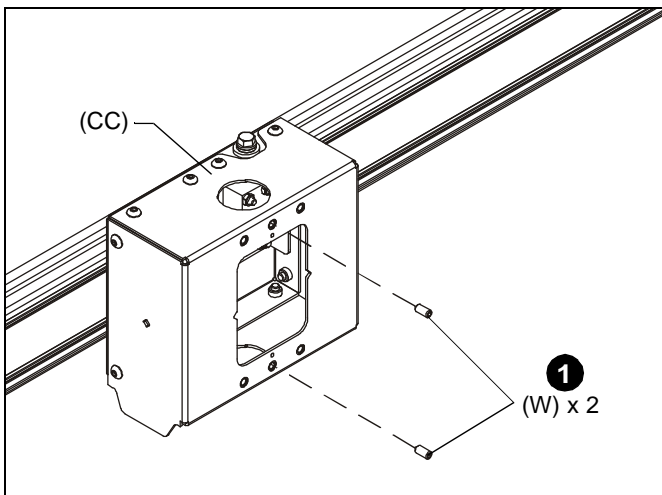


Figure 1

2. Slide ceiling mount (CC) up from below onto installed column (not included). (See Figure 2)
3. Tighten two 5/16" set screws installed in Step 1 against column.
4. Thread bottom coupling (BB) onto installed column until tight, with a minimum of four threads engaged. (See Figure 2)
5. Install and tighten one 10-24 x 1/4" set screw (T) into bottom coupling (BB). (See Figure 2)

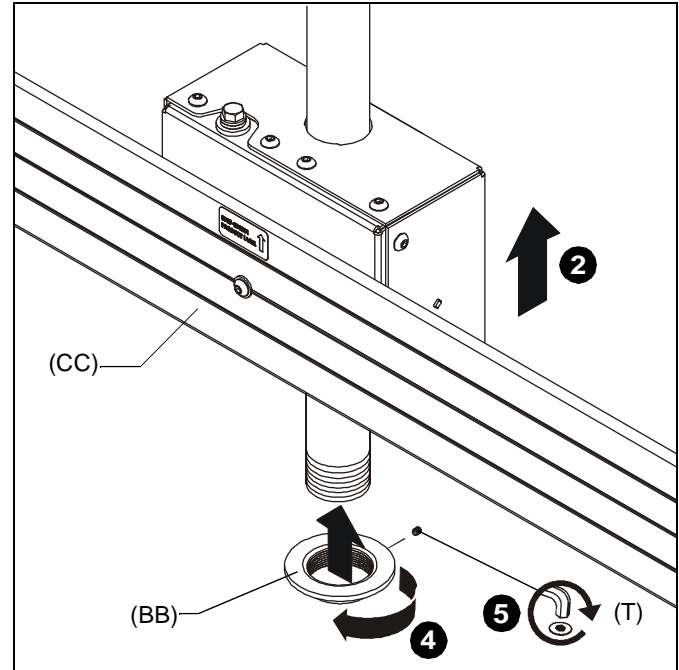


Figure 2

6. Loosen two installed set screws (W), and slide ceiling mount down extension column until it rests on the bottom coupling (B). (See Figure 3)
7. Retighten two 5/16" set screws (W) against column. (See Figure 3)

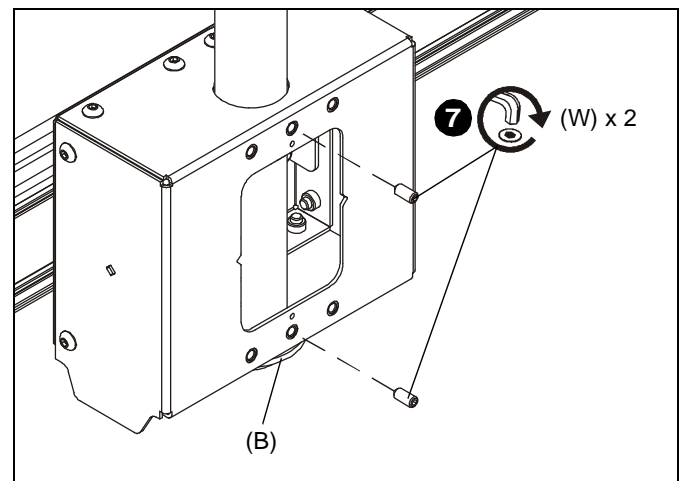


Figure 3

8. Proceed to **Attaching Interface Brackets to Display** section.

Attaching Mount to CPA Extension Column



CAUTION: WATCH FOR PINCH POINTS! Do not place fingers between moveable parts.

1. Insert two 5/16" x 3/4" set screws (W) into back of ceiling mount (CC). (See Figure 4)

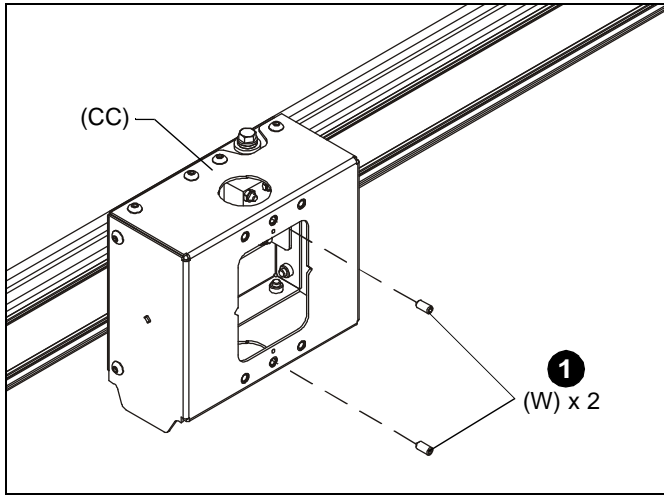


Figure 4

2. Slide ceiling mount (CC) up from below onto installed column (not included). (See Figure 5)
3. Tighten two 5/16" set screws installed in Step 1 against column.
4. Slide bottom stop collar (AA) onto installed column, lining up holes in collar with holes in column.

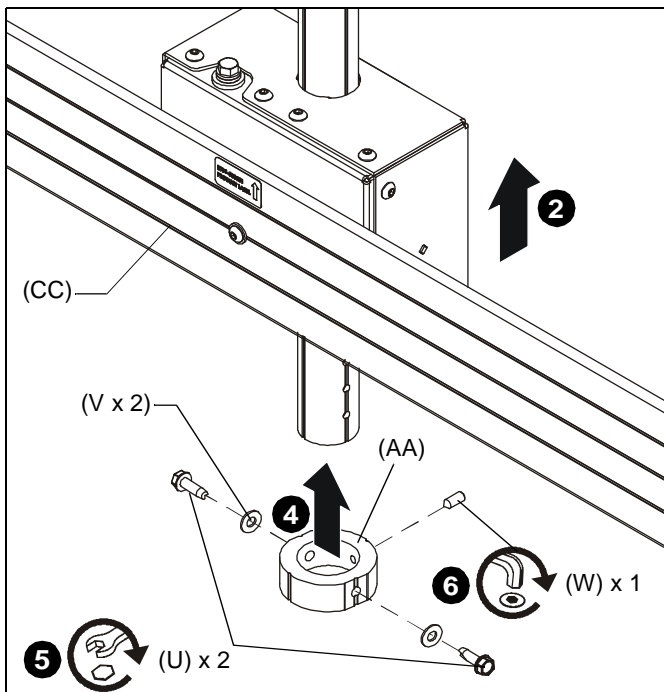


Figure 5

5. Install two 5/16" x 1" self-tapping screws (U) through two 5/16" flat washers (V), bottom stop collar (AA), and into installed column. (See Figure 5)
6. Install and tighten 5/16" x 3/4" set screw (W) into bottom stop collar (AA). (See Figure 5)
7. Slightly loosen two installed set screws (W) from ceiling mount (CC), and slide ceiling mount down extension column until it rests on the bottom stop collar (AA).
8. Retighten two 5/16" set screws (W) against column. (See Figure 6)

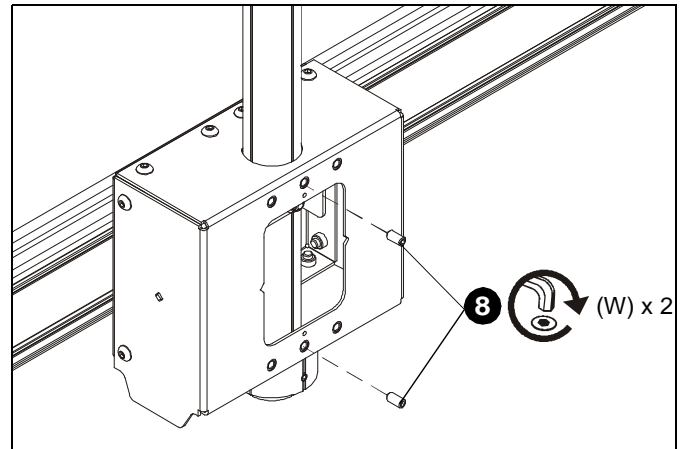


Figure 6

Attaching Interface Brackets to Display

1. Lower the latch mechanism on each interface bracket (EE). (See Figure 7)

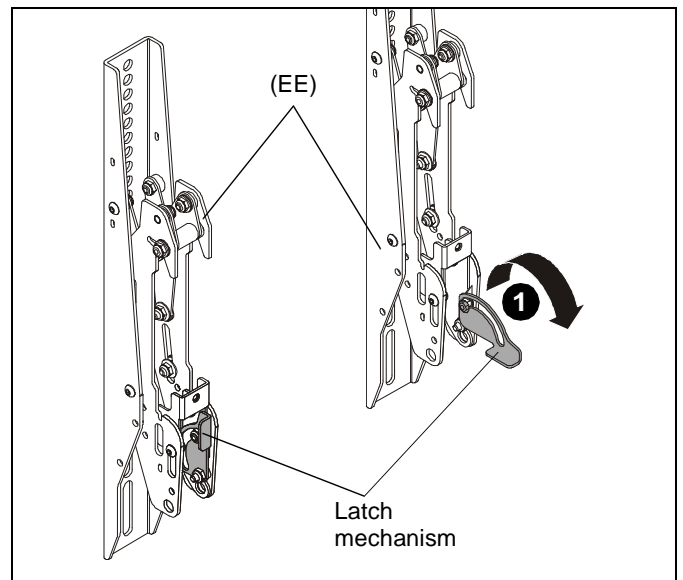


Figure 7

- Align the center of the interface bracket (EE) with center of screen. (See Figure 8)

NOTE: The diamond-shape hole in the bracket corresponds to the center of the mount.

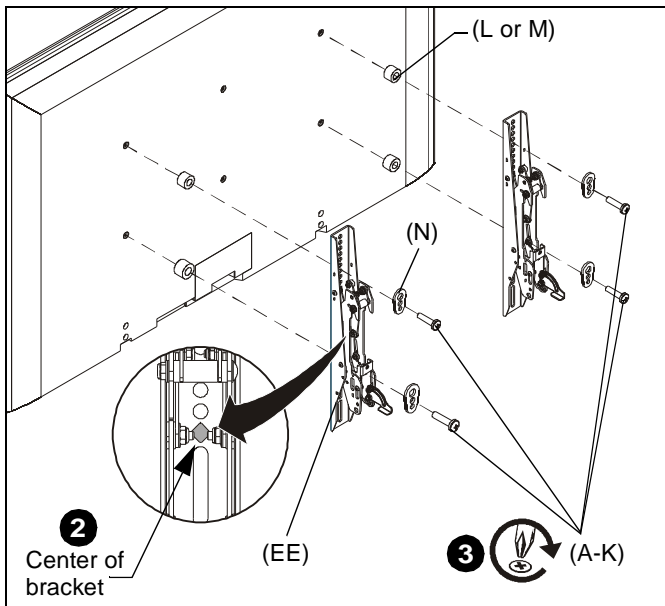


Figure 8



WARNING: IMPROPER INSTALLATION CAN LEAD TO DISPLAY FALLING CAUSING SERIOUS PERSONAL INJURY OR DAMAGE TO EQUIPMENT! Using screws of improper size may damage your display. Properly sized screws will easily and completely thread into display mounting holes. If spacers are required, be sure to use longer screws of the same diameter.

- Select correct screws, spacers (if necessary) and universal washers from the hardware bag (A-N) and attach brackets (EE) to back of screen. (See Figure 8)

Attaching Display to Ceiling Mount

- Ensure that the latch mechanisms on interface brackets (EE) are already lowered. (See Figure 7)
- While supporting both sides of display, lower display onto ceiling mount, hooking top of interface brackets onto front of ceiling mount. (See Figure 9)



WARNING: IMPROPER INSTALLATION CAN LEAD TO DISPLAY FALLING CAUSING SERIOUS PERSONAL INJURY OR DAMAGE TO EQUIPMENT! The display **MUST** be centered on the ceiling mount.

- Raise the latch mechanism on both interface brackets to lock bracket in place. (See Figure 9)

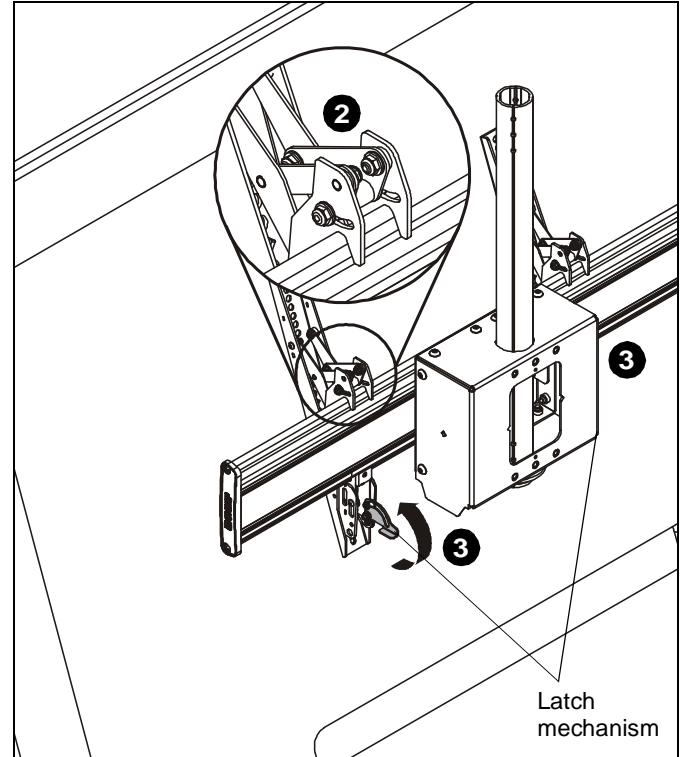


Figure 9

- Fasten bracket against ceiling mount extrusion using one 10-24 x 5/8" button head cap screw (Y). (See Figure 10)
- Repeat for other interface bracket.

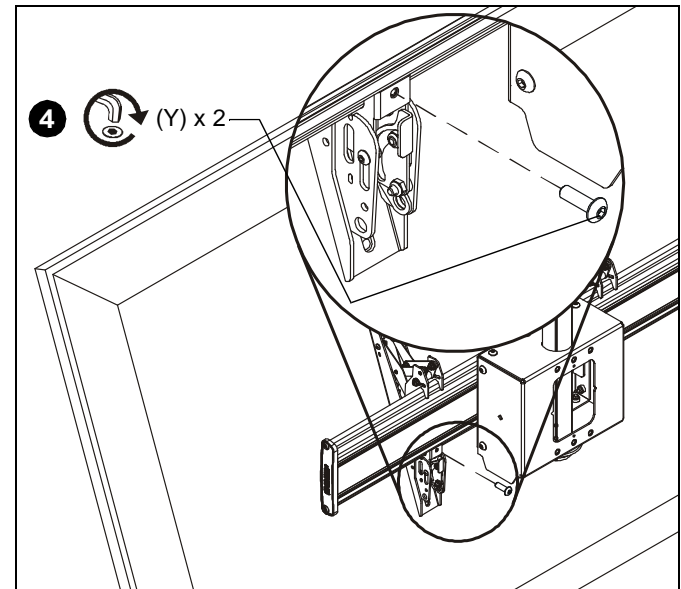


Figure 10

Adjustments



CAUTION: Watch for pinch points! Do not place fingers between moveable parts.

Roll

The ceiling mounts allow up to 3° roll each direction.

1. Turn the roll adjustment bolt in the direction necessary for the desired roll. (See Figure 11)
2. Stop adjusting when the desired setting is reached.

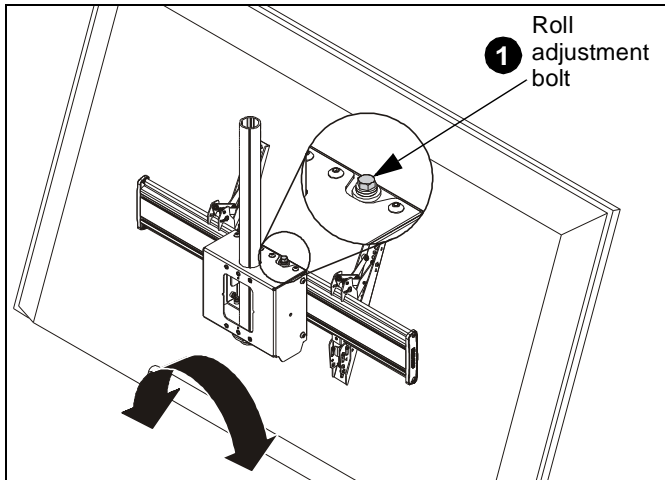


Figure 11

Tilt

The interface brackets allow -5° to 20° tilt, and can be locked at 0°, 10° and 20° tilt.

3. If necessary, loosen button head tilt friction bolt (located on side of interface bracket). (See Figure 12)
4. Adjust tilt as required. (See Figure 12)
5. The tilt may be locked at 0°, 10° and 20° using one 10-24 x 2-1/4" Phillips head screw (X) and one 10-24 lock nut (Z) per interface bracket. (See Figure 12)
6. Tighten button head tilt adjustment bolt as necessary.

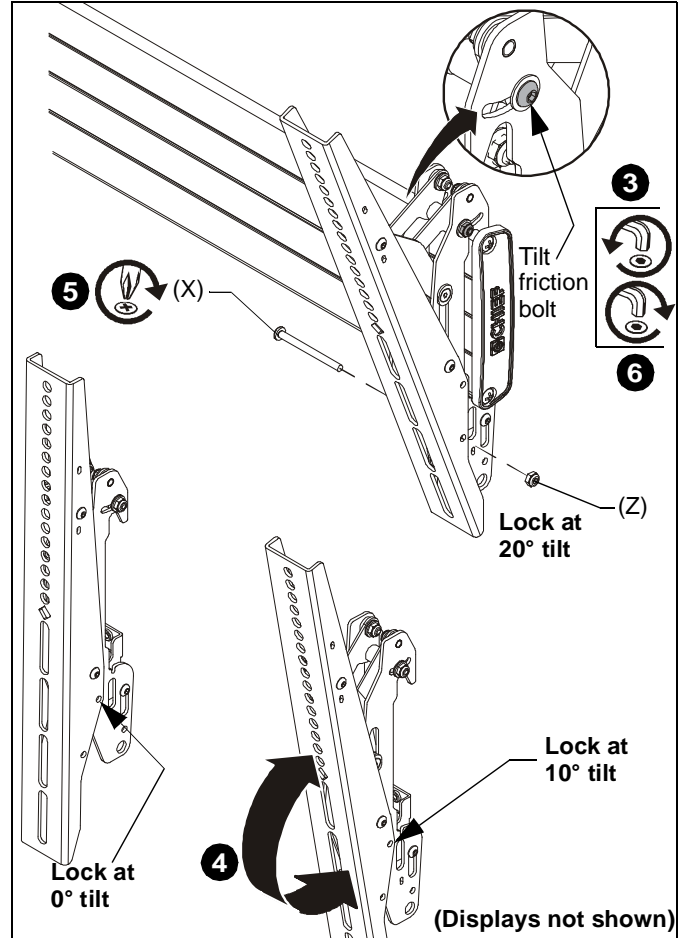


Figure 12

OPTIONAL: Security

1. **OPTIONAL:** Add padlock (not included) to each interface bracket to lock display to ceiling mount. (See Figure 13)

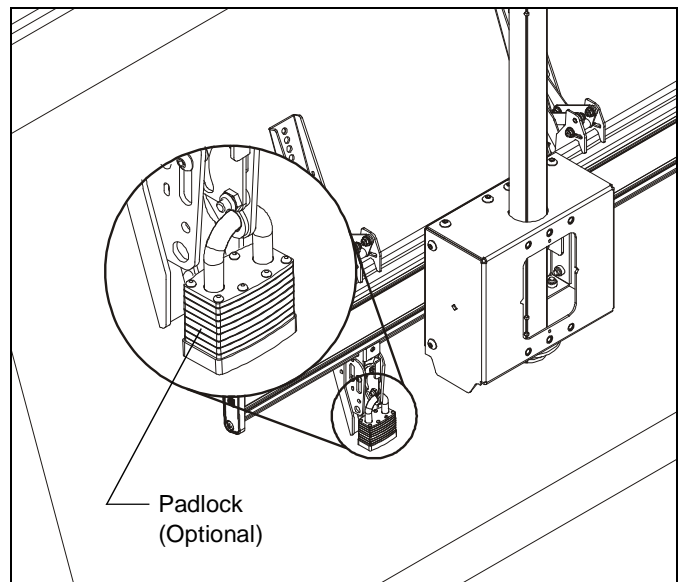


Figure 13

2. Install back cover (DD) into four holes on back of ceiling mount. (See Figure 14)

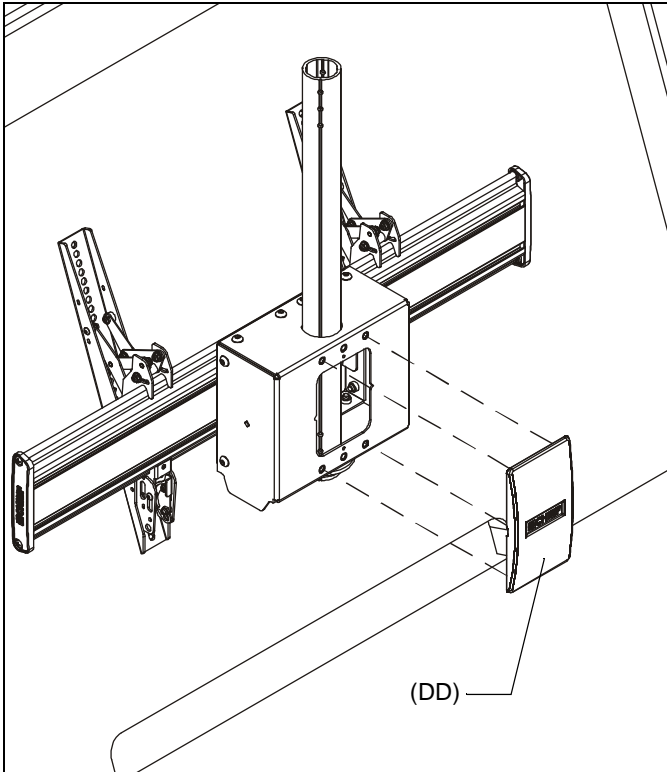


Figure 14



Our Mounts. **Your Vision.**

Chief Manufacturing, a products division
of Milestone AV Technologies

8800-002443 Rev00
©2013 Milestone AV Technologies, a
Duchossois Group Company
www.chiefmfg.com
10/13

USA/International	A 6436 City West Parkway, Eden Prairie, MN 55344 P 800.582.6480 / 952.225.6000 F 877.894.6918 / 952.894.6918
Europe	A Franklinstraat 14, 6003 DK Weert, Netherlands P +31 (0) 495 580 852 F +31 (0) 495 580 845
Asia Pacific	A Office No. 1 on 12/F, Shatin Galleria 18-24 Shan Mei Street Fotan, Shatin, Hong Kong P 852 2145 4099 F 852 2145 4477

